

BOTTOM ROLLING DOORS

FINISHES:

#8 POLISHED S/S

#4 SATIN S/S

US3 POLISHED BRASS

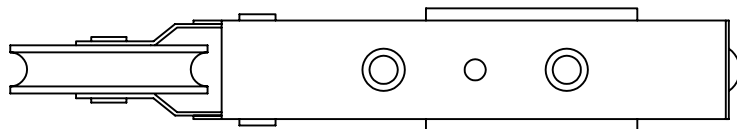
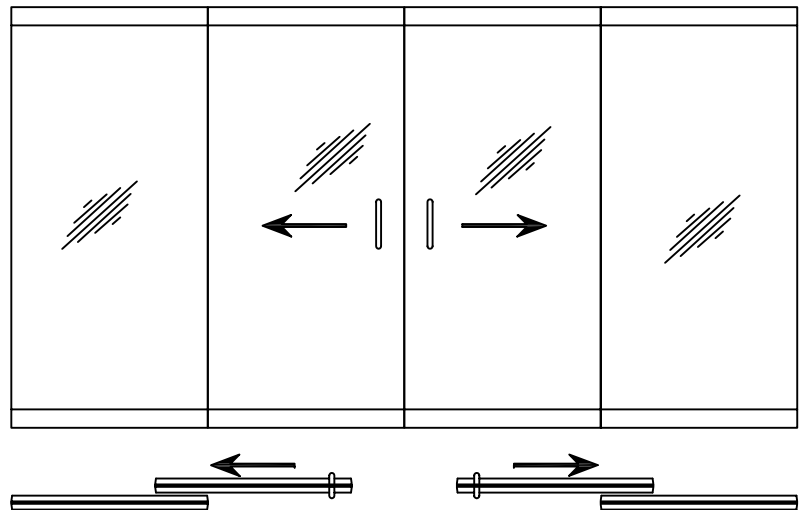
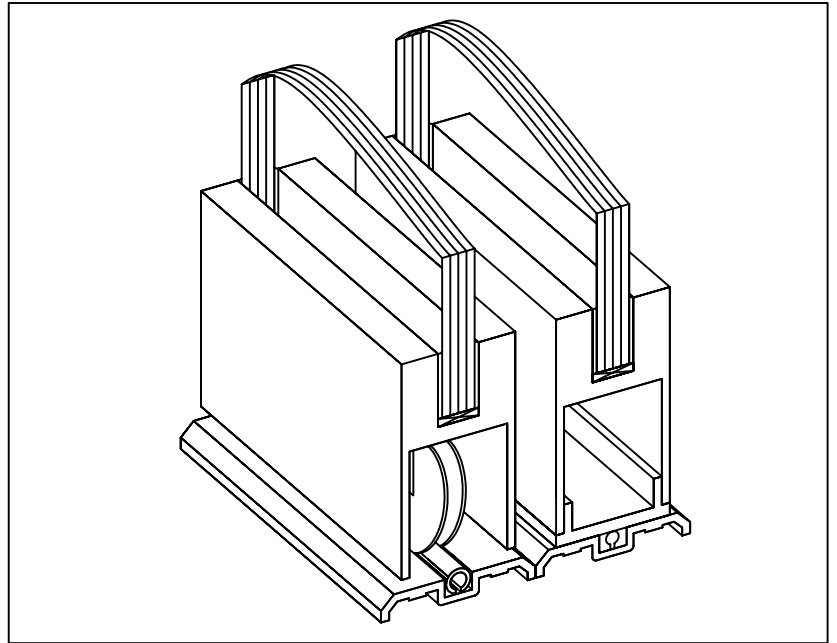
US4 SATIN BRASS

ANODIZED FINISHES

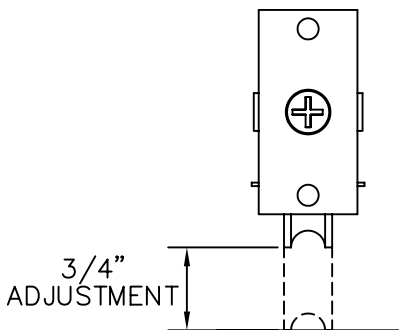
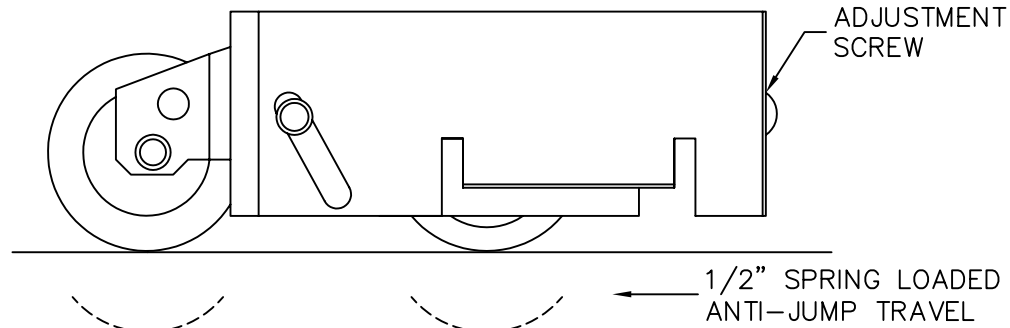
PAINTED FINISHES

US10B WITH A
CLEAR BAKED ENAMEL

- Adaptable to Single or Multiple Track Installations.
- Must Use Continuous Top & Btm Rails.
- 3/8" Glass Can be Used for Doors Up To 84" in Height.
- 1/2" or 3/4" Glass Can be Used in Heights up to 10'.
- All of The Standard Rail Models Can be Used.
- Manual or Automatic Operation.
- Head & Sill Track Can be Clad to Match Door Finish.
- Number Of Rollers Vary According to Width of Door.
- Minimum Door Width is 18".
- Straddle Lock in Btm Rail Optional

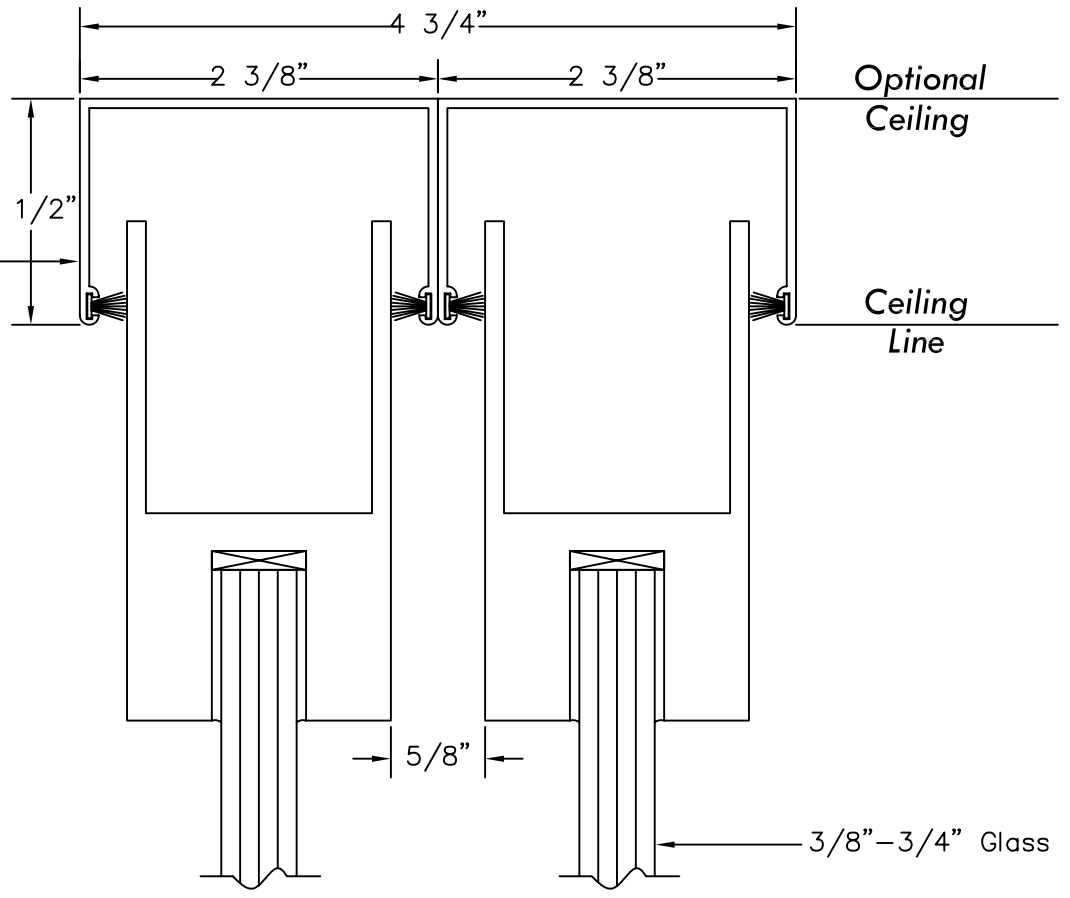


Roller Mechanism



BOTTOM ROLLING DOORS

Note: Top & Bottom Sliding Door Track can be Exposed or Recessed into Head & Sill Condition



GV-350 Rials Shown

