

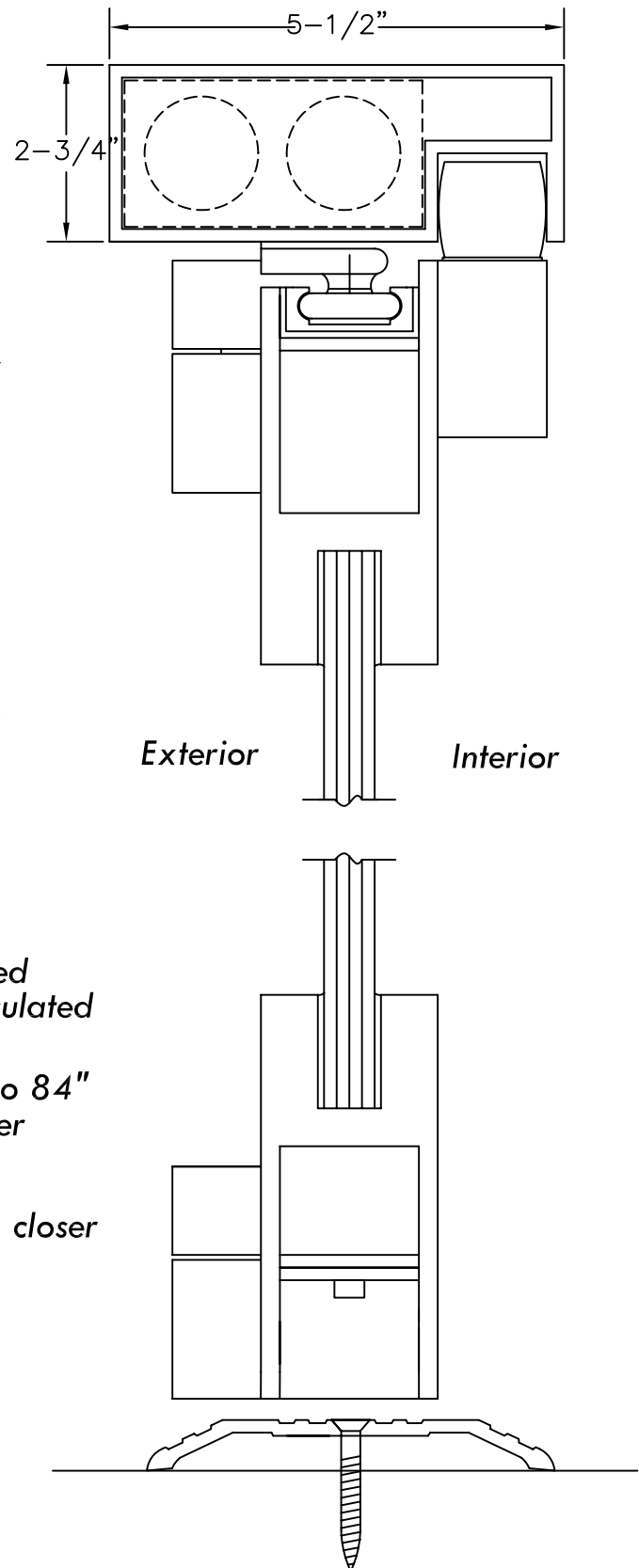
# BALANCED DOORS

Grand View balanced doors are designed for smoother operation under strong wind conditions and stack pressure that can be achieved with pivoting or conventional butt hinged doors. Fabrication in full framed or frameless models, balanced doors can use exposed or concealed hinge tubes.

**FRAMELESS BALANCED DOORS** Frameless balanced doors models are produced only in P-style having continuous top & bottom rails with a minimum rail height of 4-1/4" with a square shouldered profile. Maximum door height is 10'.

**FULL FRAMED BALANCED DOORS** Full framed balanced doors are manufactured with the above conditions. A weather-strip channel is designed into the stiles. The full-framed doors are also produced in aluminum with brass or stainless steel cladding.

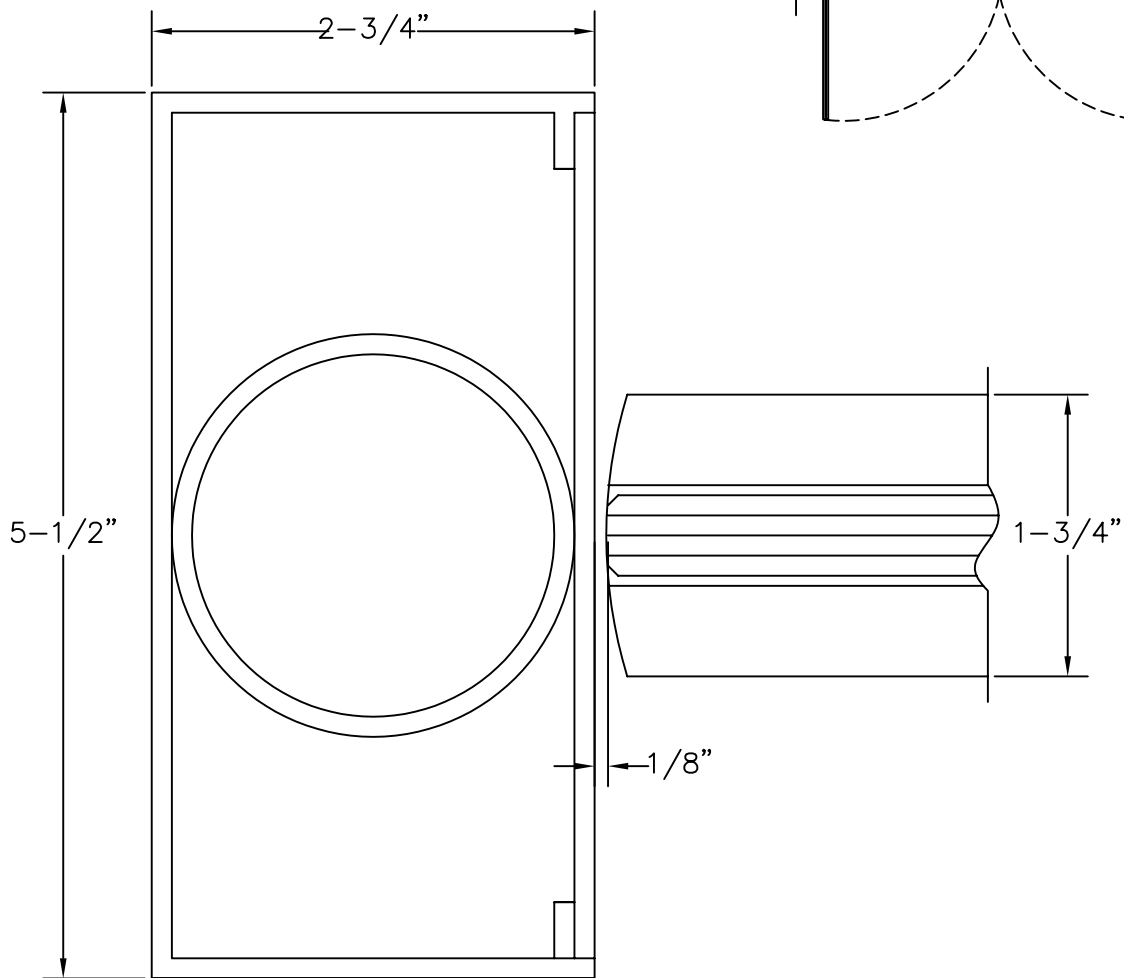
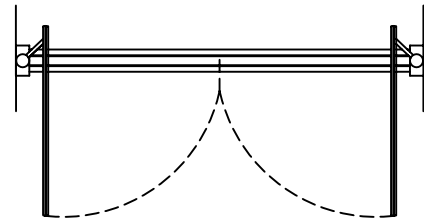
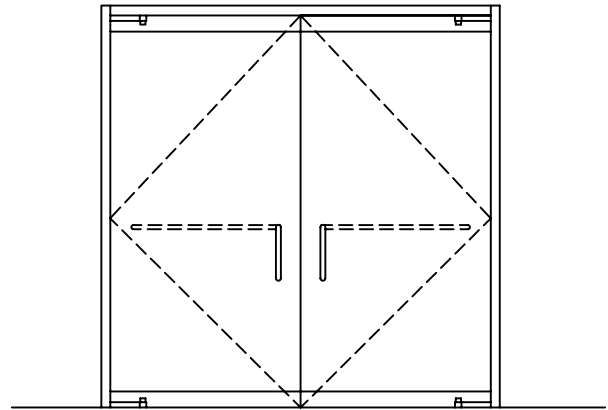
- *These models require a minimum top and bottom rail height of 4-1/4".*
- *1/4" glass is standard for full-frame balanced doors but is available in 3/8", 1/2" or 1" insulated Insulated glass by others.*
- *P-style doors are available in 3/8" glass up to 84" in height. 1/2" or 3/4" glass for doors higher than 84".*
- *G.V. will provide and install locks, push/pulls, closer and door holders. if desired, doors will be prepared for other hardware as specified.*



**VERTICAL SECTION**

HALF SCALE

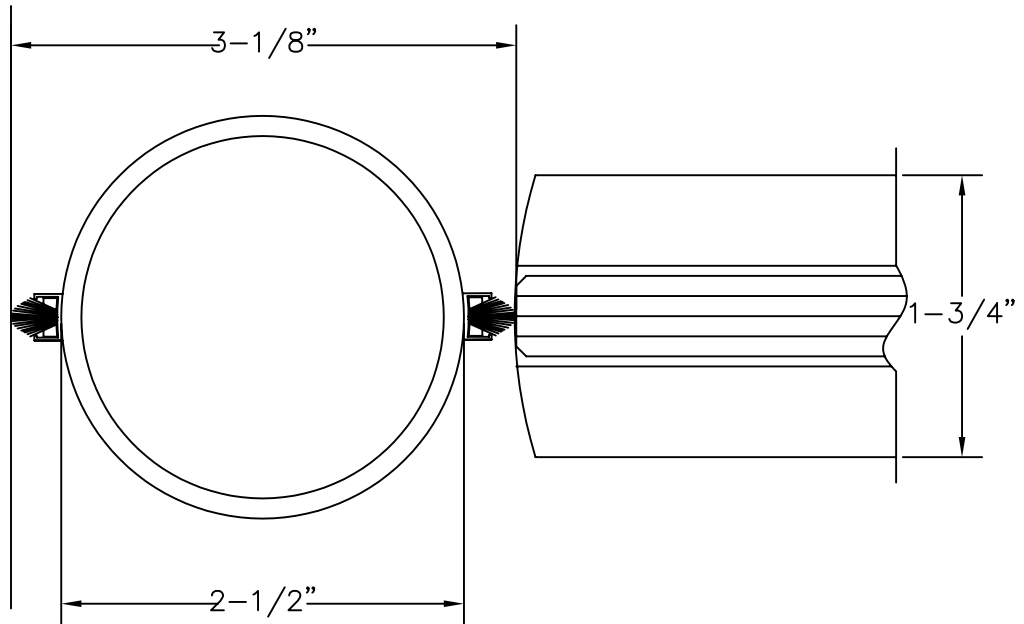
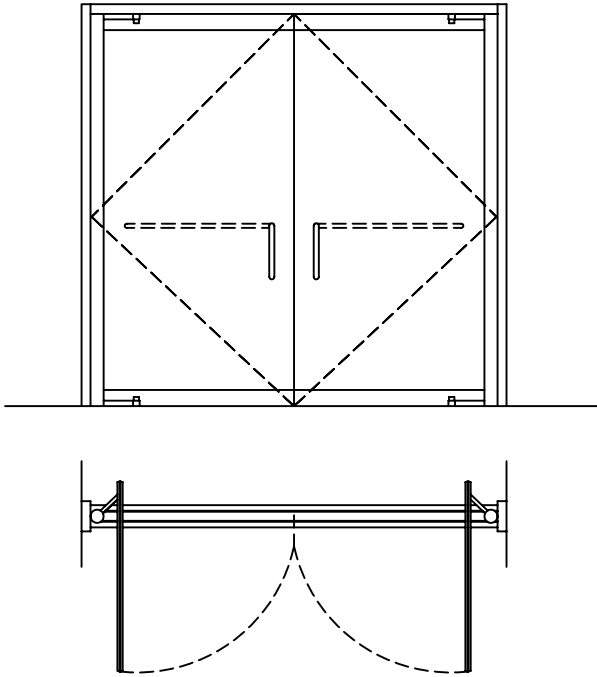
**BALANCED**  
**DOORS**  
WITH CONCEALED HINGE TUBE



**CONCEALED HINGE TUBE.  
HORIZONTAL DOOR SECTION**

$3/4" = 1"$

**BALANCED**  
**DOORS**  
WITH EXPOSED HINGE TUBE



**EXPOSED HINGE TUBE.**  
**HORIZONTAL DOOR SECTION**

$3/4'' = 1''$