

HANDRAIL

FINISHES:

#8 POLISHED S/S

#4 SATIN S/S

US3 POLISHED BRASS

US4 SATIN BRASS

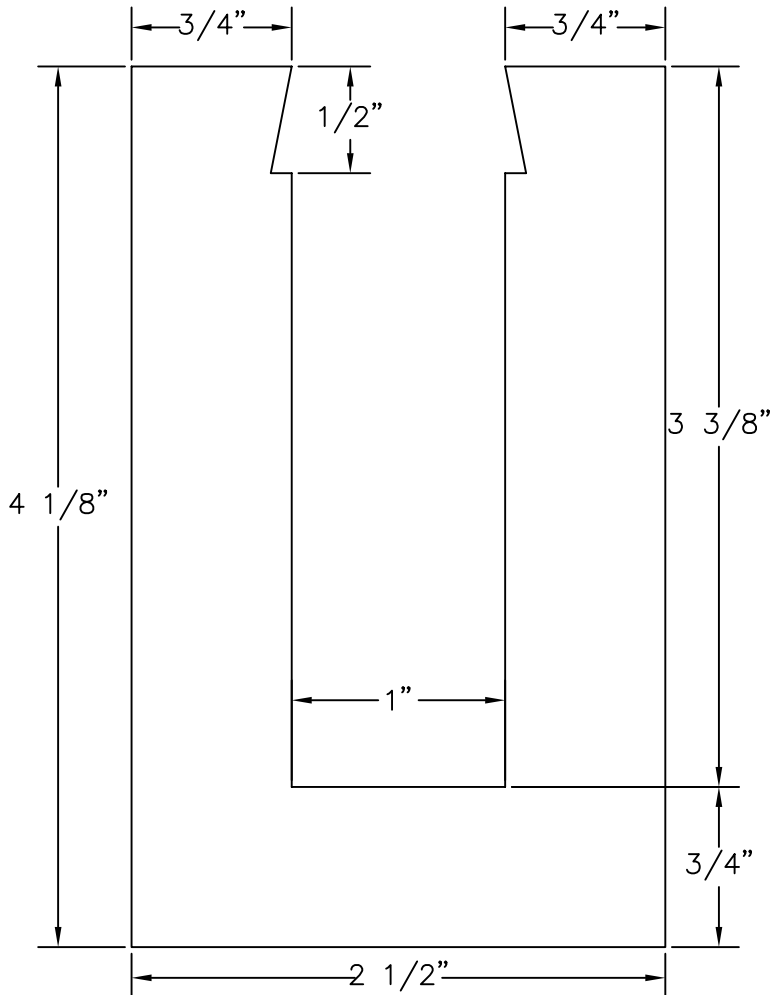
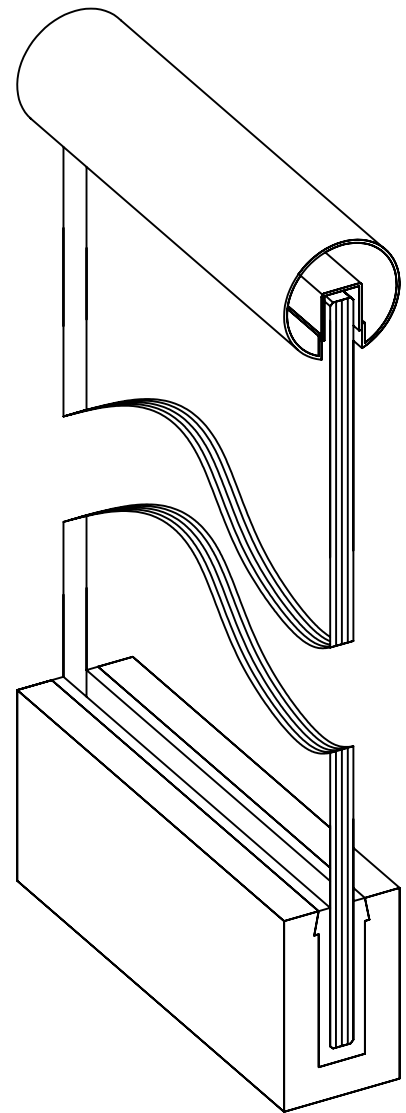
ANODIZED FINISHES

PAINTED FINISHES

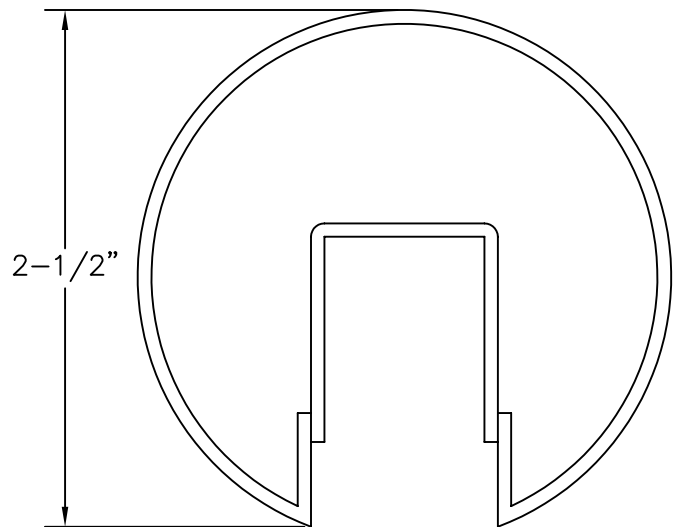
US10B WITH A

CLEAR BAKED ENAMEL

- Our Handrail component system can be used with 1/2" or 3/4" glass
- Handrail caps available in multiple diameters.
- Extruded from alloy 6063-T6
- Wide selection of sizes and materials available consults factory.



HANDRAIL BASE



HANDRAIL CAP

FULL SCALE DETAILS
DIMENSIONS IN INCHES

(c) Copyright Grand View Glass & Metal, Inc. 2001